

# Power

## AlphaCell™ OPzS

Stationary Flooded Tubular Lead Acid Battery



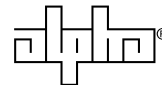
Single Cell



Monoblock

- Power range:
  - 12V from 50 to 150Ah
  - 6V from 200 to 300Ah
  - 2V from 100 to 3000Ah
- Ideal for deep cycling applications for backup power, emergency lighting, control monitoring systems, security systems and telecommunications applications
- 20 year design life
- 3 year — 100% full warranty

The AlphaCell OPzS Stationary Lead Acid Batteries are designed to provide backup power for deep cycling applications in telecommunication, utility, communication and transportation industries. OPzS batteries have a long life expectancy, low water consumption and a low self discharge rate making them ideal for photovoltaic applications. A unique tubular positive plate design prevents potential escape of active materials during operation and the containers are extremely resistant to chemical influences and mechanical damage. Manufactured in accordance with DIN 40736 and ISO standards.



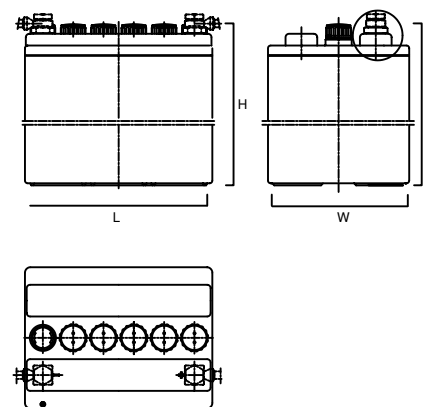
## AlphaCell OPzS

### Feature Summary

Model:	AlphaCell OPzS 2V	AlphaCell OPzS 6V	AlphaCell OPzS 12V
Standard Warranty:	3 yr full plus 17 yr prorated	3 yr full plus 17 yr prorated	3 yr full plus 17 yr prorated
Service Life:	20 yr	20 yr	20 yr
Battery Type:	Flooded Lead Acid	Flooded Lead Acid	Flooded Lead Acid
Range of Capacity:	100 to 3000Ah	200 to 300Ah	50 to 150Ah
Time of Discharge:	10min to 8hrs	10min to 8hrs	10min to 8hrs
Heat Resistant:	Moderate	Moderate	Moderate
Operating Temperature:	25°C (77°F)	25°C (77°F)	25°C (77°F)
Terminal Type:	Threaded Copper Insert	Threaded Copper Insert	Threaded Copper Insert

### Mechanical Specifications

Type	Length (in/mm)	Width (in/mm)	Height (in/mm)	Weight w/acid (lbs/kg)
1 OPzS 12-50	10.5/272	8.0/205	15.0/388	80/37
2 OPzS 12-100	10.5/272	8.0/205	15.0/388	117/53
3 OPzS 12-150	15/380	8.0/205	15.0/388	167/76
4 OPzS 6-200	10.5/272	8.0/205	15.0/388	108/48
5 OPzS 6-250	15/380	8.0/205	15.0/388	143/65
6 OPzS 6-300	15/380	8.0/205	15.0/388	160/73
2 OPzS 2-100	4.0/103	8.0/206	14.5/375	23/10
3 OPzS 2-150	4.0/103	8.0/206	14.5/375	35/16
4 OPzS 2-200	4.0/103	8.0/206	14.5/375	40/18
5 OPzS 2-250	4.5/124	8.0/206	14.5/375	48/22
6 OPzS 2-300	5.5/145	8.0/206	14.5/375	57/26
5 OPzS 2-350	4.5/124	8.0/206	19.0/491	64/29
6 OPzS 2-420	5.5/145	8.0/206	19.0/491	75/34
7 OPzS 2-490	6.5/166	8.0/206	19.0/491	86/39
6 OPzS 2-600	5.5/145	8.0/206	26.0/666	110/50
8 OPzS 2-800	7.5/191	8.2/210	26.0/666	143/65
10 OPzS 2-1000	9.0/233	8.2/210	26.0/666	176/80
12 OPzS 2-1200	11.0/275	8.2/210	26.0/666	204/93
12 OPzS 2-1500	11.0/275	8.2/210	32.0/821	262/119
16 OPzS 2-2000	15.5/397	8.3/212	31.0/797	352/160
20 OPzS 2-2500	19.0/487	8.3/212	31.0/797	440/200
24 OPzS 2-3000	22.5/576	8.3/212	31.0/797	529/240



### Final Voltage is 1.75V/Cell

Type	Minutes			Hours					
	1	10	30	1	2	3	4	5	8
2 OPzS 12-100	-	94.9	79.1	54.0	35.0	26.1	20.4	19.0	12.6
3 OPzS 12-150	-	142.4	118.7	81.0	52.5	39.2	30.6	28.5	18.9
4 OPzS 6-200	-	189.8	158.2	108.0	70.0	52.2	40.8	38.0	25.2
5 OPzS 6-250	-	237.4	197.8	135.0	87.5	65.3	51.0	47.5	31.5
6 OPzS 6-300	-	284.8	237.3	162.0	104.9	78.3	61.2	57.0	37.8
2 OPzS 2-100	140.0	94.9	79.1	54.0	35.0	26.1	20.4	19.0	12.6
3 OPzS 2-150	210.0	142.4	118.7	81.0	52.5	39.2	30.6	28.5	18.9
4 OPzS 2-200	280.0	189.8	158.2	108.0	70.0	52.2	40.8	38.0	25.2
5 OPzS 2-250	350.0	237.4	197.8	135.0	87.5	65.3	51.0	47.5	31.5
6 OPzS 2-300	420.0	284.8	237.3	162.0	104.9	78.3	61.2	57.0	37.8
5 OPzS 2-350	490.0	302.4	252.0	178.5	121.9	91.0	72.5	63.0	42.0
6 OPzS 2-420	588.0	362.9	302.4	214.2	146.3	109.2	86.9	75.6	50.4
7 OPzS 2-490	686.0	423.4	352.8	249.9	170.0	127.4	101.4	88.2	58.8
6 OPzS 2-600	840.0	460.8	384.0	288.0	209.0	156.0	121.2	108.0	74.0
12 OPzS 2-600	-	570.0	475.0	324.0	210.4	157.0	122.0	114.0	76.0
8 OPzS 2-800	1120.0	614.4	512.0	384.0	278.7	208.0	161.6	144.0	99.2
12 OPzS 2-840	-	726.0	605.0	428.0	292.1	218.0	174.0	151.0	101.0
10 OPzS 2-1000	1400.0	768.0	640.0	480.0	348.4	260.0	202.0	180.0	124.0
12 OPzS 2-1200	1680.0	921.6	768.0	576.0	418.0	312.0	242.4	216.0	148.8
12 OPzS 2-1500	2100.0	1116.0	930.0	705.0	522.6	390.0	303.0	270.0	189.0
16 OPzS 2-2000	2800.0	1488.0	1240.0	940.0	696.8	520.0	404.0	360.0	252.0
20 OPzS 2-2500	3500.0	1860.0	1550.0	1175.0	871.0	650.0	505.0	450.0	315.0
24 OPzS 3000	4200.0	2232.0	1860.0	1410.0	1045.2	780.0	606.0	540.0	378.0

For more information visit [www.alpha.com](http://www.alpha.com)

Alpha Industrial Power  
MTI Systems

United States  
Canada

Bellingham, Washington Tel: 360 647 2360 Fax: 360 671 4936  
Burnaby, British Columbia Tel: 604 439 3009 Fax: 604 439 3039

049-215-13-003 (3/06)

MTI and Alpha Industrial Power reserves the right to make changes to the products and information contained in this document without notice.  
Copyright © 2006 MTI and Alpha Industrial Power. All Rights Reserved. Alpha® is a registered trademark of Alpha Technologies.  
member of The Alpha Group™ is a trademark of Alpha Technologies. AlphaCell™ is a trademark of Alpha Technologies.